

# thePrema P360 KNX AP Multi WH

Item no.: 2079900

KNX

Präsenz- / Bewegungsmelder

## Description

---

- Multi-sensor KNX
- Consisting of passive infra-red presence detector KNX and air quality sensor KNX (= 2 bus participants)
- Functions air quality sensor:
  - Measures CO<sub>2</sub> level, relative humidity, temperature and barometric air pressure
  - Three independent, configurable thresholds for the CO<sub>2</sub> level and relative humidity
- Integrated individual room thermostat
- 4 binary inputs
- Functions presence detector:
  - Square detection area 360°, 9 x 9 m, (81 m<sup>2</sup>) at mounting height 3 m
  - 3 channels light and 2 channels presence
  - 2 channel light C1, C2 with 2 light measurements and additional lighting channel C3 without brightness factor
  - 2 presence channels can be set individually
  - Adaptable 3 channel light measurement
  - Mixed light measurement suitable for LEDs, fluorescent lamps (FL/PL/ESL) and halogen/incandescent lamps
  - Can be used as fully or semi-automatic, switchable
  - Switch or constant light control mode with stand-by function
  - Dimmable lighting in switch mode with stand-by function
  - Brightness switching value or set point value can be set in lux using parameters, on the device itself or via remote control
  - Teaching in of the brightness switching value or the set point value
  - Room correction factor setting for brightness measurement calibration
  - Light time delay can be set using parameters, on the device itself or via remote control
  - Switch on delay and time delay for presence can be set
  - Detection sensitivity can be set
  - Self-learning time delay
  - Reduced time delay in the event of a shorter stay in the room (short presence)
- Scenario functions
- Extremely easy setting of energy saving characteristics with the new "eco plus" function
- Test mode for checking function and detection range
- Parallel switching of several detectors in Master/Slave or Master/Master possible
- User remote control and management-remote control (optional)
- Room monitoring
- \* According to warranty terms and conditions, see [www.theben.de/en/guarantee](http://www.theben.de/en/guarantee)



Subject to technical changes and misprints

additional information at: [www.theben.de/product/2079900](http://www.theben.de/product/2079900)

The load data are determined with exemplary selected illuminants and are therefore typical data due to the large number of available products.

04/01/2023

Page 1 of 3

# thePrema P360 KNX AP Multi WH

Item no.: 2079900

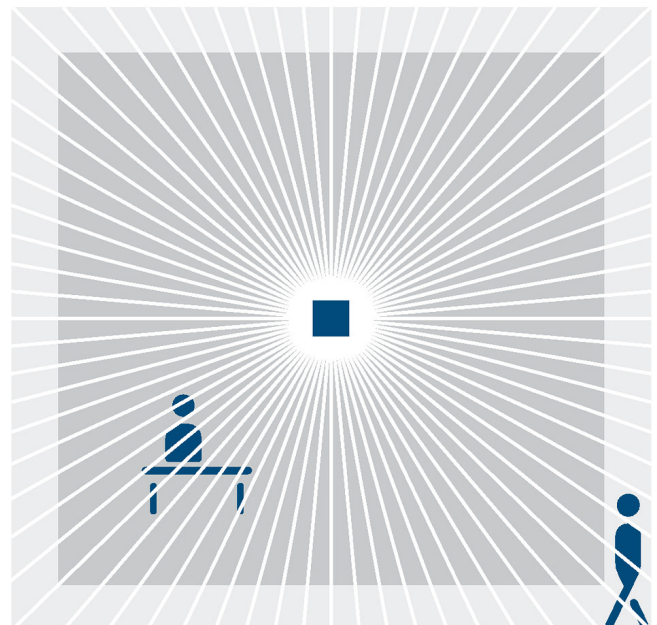
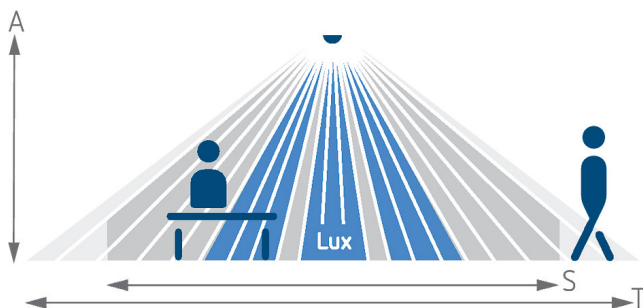


## Technical data

thePrema P360 KNX AP Multi WH		thePrema P360 KNX AP Multi WH	
Installation height	2 – 10 m	Ambient temperature	5°C ... 40°C
Minimum height	> 1,7 m	Detection range	81 m <sup>2</sup> (9,0 x 9,0 m)
Measuring range brightness	5 – 3000 lx	Colour	White
Detection angle	360°	Measuring range CO <sub>2</sub>	300 – 5000 ppm
Installation type	Ceiling installation	Setting range temperature	-5°C ... 45°C
Light switch-off delay	30 s – 60 min / inaktiv / ein	Measuring range air pressure	30000 – 110000 Pa
Lamps	Energy saving lamps, fluorescent lamps, Incandescent / halogen lamps, LEDs	Measuring range humidity	1 – 100 % rH
Light measurement	Mixed light measurement	Interface extension max.	30 m
Presence switch-off delay	10 s - 120 min	Type of protection	IP 20
Switch-on delay presence	10 s – 30 min / inactive		

## Detection range for planning applications at a temperature of 21 °C

Mounting height (A)	Sitting (S)	Walking (T)
2 m	20 m <sup>2</sup>   4.5 m x 4.5 m	36 m <sup>2</sup>   6 m x 6 m ± 0.5 m
2.5 m	36 m <sup>2</sup>   6 m x 6 m	64 m <sup>2</sup>   8 m x 8 m ± 0.5 m
3 m	49 m <sup>2</sup>   7 m x 7 m	81 m <sup>2</sup>   9 m x 9 m ± 1 m
3.5 m	64 m <sup>2</sup>   8 m x 8 m	100 m <sup>2</sup>   10 m x 10 m ± 1 m
5 m		144 m <sup>2</sup>   12 m x 12 m ± 1.5 m
10 m		400 m <sup>2</sup>   20 m x 20 m ± 2 m



## Detection range according to Sensnorm IEC 63180

Mounting height (A)	Diagonally (T)	Head on to (R)	Sitting (S)
---------------------	----------------	----------------	-------------

Subject to technical changes and misprints

additional information at: [www.theben.de/product/2079900](http://www.theben.de/product/2079900)

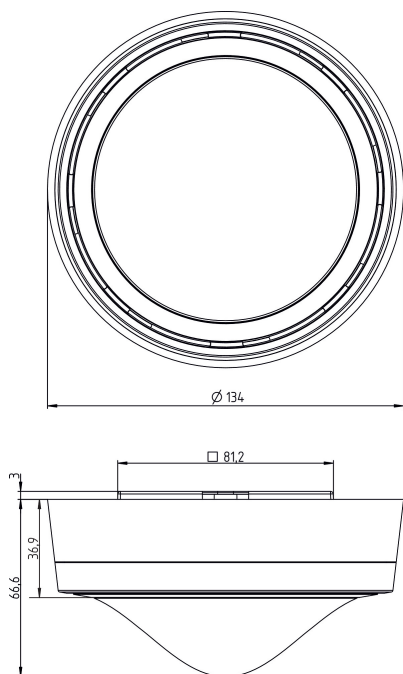
The load data are determined with exemplary selected illuminants and are therefore typical data due to the large number of available products.

# thePrema P360 KNX AP Multi WH

Item no.: 2079900



## Scale drawings



## Accessories

### theSenda P

Item no.: 9070910



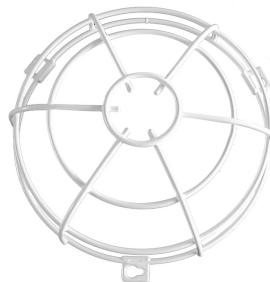
### theSenda S

Item no.: 9070911



### QuickSafe

Item no.: 9070531



### theSenda B

Item no.: 9070985



Subject to technical changes and misprints

additional information at: [www.theben.de/product/2079900](http://www.theben.de/product/2079900)

The load data are determined with exemplary selected illuminants and are therefore typical data due to the large number of available products.